



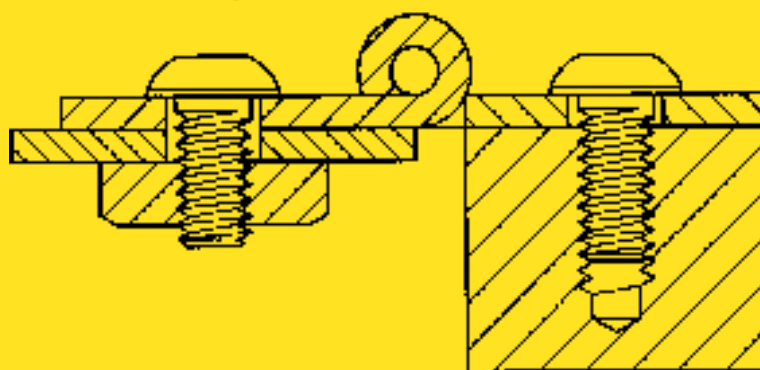
Holo-Krome®

The Difference is Easy To See

800-879-6205 • www.Holo-Krome.com • Wallingford, CT

PRODUCT DATA SHEET

Button Head Socket Cap Screw



Applications:

- Designed for light duty applications such as securing guards, covers, and ornamental fixtures
- Button Heads present a pleasing appearance to an assembly

Benefits:

- Unified standard threads are Class 3A UNRC and UNRF with Holo-Krome controlled radius roots and radiused run-out
- Closely controlled fillet between head and body provides maximum fatigue strength
- Inch Series: ASME/ANSI B18.3 and ASTM F 835
- Metric Series: Reference ISO 7380

Standard Button Head Socket Cap Screw

Metric Button Head Socket Cap Screw

DIAMETER	LENGTH UNDER HEAD	PRODUCT CODE NUMBER	
		UNRC	UNRF
#4 (.112") 40 UNRC 1/16" Key	1/4"	64002	-
	3/8"	64004	-
	1/2"	64006	-
#6 (.138") 32 UNRC 5/64" Key	1/4"	64008	-
	3/8"	64010	-
	1/2"	64012	-
	5/8"	64014	-
#8 (.164") 32 UNRC 3/32" Key	1/4"	64016	-
	3/8"	64018	-
	1/2"	64020	-
	5/8"	64022	-
	3/4"	64024	-
	1"	88348	-
#10 (.190") 24 UNRC 32 UNRF 1/8" Key	1/4"	64026	65002
	3/8"	64028	65004
	1/2"	64030	65006
	5/8"	64032	65008
	3/4"	64034	65010
	7/8"	64036	65012
	1"	64038	65014
1/4" (.250") 20 UNRC 28 UNRF 5/32" Key	3/8"	64040	65016
	1/2"	64042	65018
	5/8"	64044	65020
	3/4"	64046	65022
	7/8"	64048	-
1"	64050	65024	
5/16" (.312") 18 UNRC 24 UNRF 3/16" Key	3/8"	64052	65026
	1/2"	64054	65028
	5/8"	64056	65030
	3/4"	64058	65032
	7/8"	64060	-
1"	64062	65034	
3/8" (.375") 16 UNRC 24 UNRF 7/32" Key	1/2"	64064	65036
	5/8"	64066	-
	3/4"	64068	65037
	7/8"	64070	-
	1"	64072	65038
1-1/4"	64074	-	
1/2" (.500") 13 UNRC 5/16" Key	1"	64076	-
	1-1/4"	64078	-
	1-1/2"	64080	-
	2"	64082	-
5/8" (.625") 11 UNRC 3/8" Key	1"	64084	-
	1-1/4"	64086	-
	1-1/2"	64088	-
	2"	64090	-

DIAMETER	LENGTH UNDER HEAD	PRODUCT CODE NUMBER
10	86003	
12	86005	
16	86006	
M4 Pitch 0.70 2.55mm Key	8	86007
	10	86009
	12	86011
	16	86013
M5 Pitch 0.80 3mm Key	10	86015
	12	86017
	16	86019
	20	86021
	25	86023
	30	86025
	30	86027
M6 Pitch 1.00 4mm Key	10	86027
	12	86029
	15	86030
	16	86031
	18	86032
	20	86033
	22	86034
	25	86035
	30	86037
	30	86039
M8 Pitch 1.25 5mm Key	10	86039
	12	86041
	16	86043
	20	86045
	25	86047
	30	86049
	35	86050
	40	86051
M10 Pitch 1.50 6mm Key	15	86052
	16	86053
	20	86055
	25	86057
	30	86059
	35	86060
	40	86061
M12 Pitch 1.75 8mm Key	16	86062
	20	86063
	25	86065
	30	86070
	35	86075
	40	86080
	50	86085