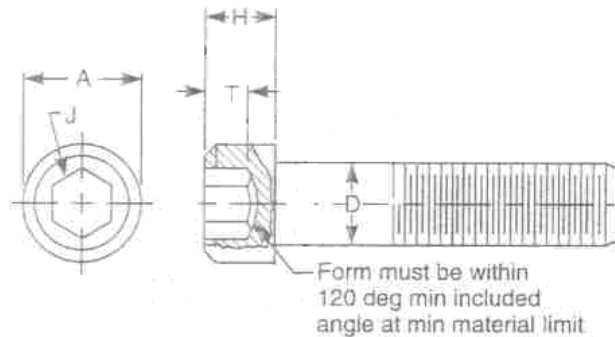




Socket Cap Screws, Alloy, Zinc Plated, Manufactured in the USA

The information below lists the required dimensional, chemical and physical characteristics of the products in this purchase order. If the order received does not meet these requirements, it may result in a supplier corrective action request, which could jeopardize your status as an approved vendor. Unless otherwise specified, all referenced consensus standards must be adhered to in their entirety.



Size	D		A		H		J	T
	Body Diameter		Head Diameter		Head Height		Hex Socket	Key Engag.
	Max.	Min.	Max.	Min.	Max.	Min.	Nom.	Min.
4	.1120	.1075	.183	.176	.112	.108	.094	.051
5	.1250	.1202	.205	.198	.125	.121	.094	.057
6	.1380	.1329	.226	.218	.138	.134	.109	.064
8	.1640	.1585	.270	.262	.164	.159	.141	.077
10	.1900	.1840	.312	.303	.190	.185	.156	.090
1/4	.2500	.2435	.375	.365	.250	.244	.188	.120
5/16	.3125	.3053	.469	.457	.312	.306	.250	.151
3/8	.3750	.3678	.562	.550	.375	.368	.313	.182
7/16	.4375	.4294	.656	.642	.438	.430	.375	.213
1/2	.5000	.4919	.750	.735	.500	.492	.375	.245
5/8	.6250	.6163	.938	.921	.625	.616	.500	.307
3/4	.7500	.7406	1.125	1.107	.750	.740	.625	.370
7/8	.8750	.8647	1.312	1.293	.875	.864	.750	.432
1	1.000	.9886	1.500	1.479	1.000	.988	.750	.495

Specification Requirements:

- Standard: ASME B18.3.
- Material & Mechanical Properties: ASTM A574.
- Thread requirements: ASME B1.1, Class 3A UNRC and UNRF (0.060" to 1" inclusive)
- Product Marking: Manufacturer's ID on sizes 1/4" and larger
- Finish: Flash Zinc, Clear
- Material Test Reports: The MTR must have documented lot traceability, including full chemical and mechanical figures, to the specification(s) above.