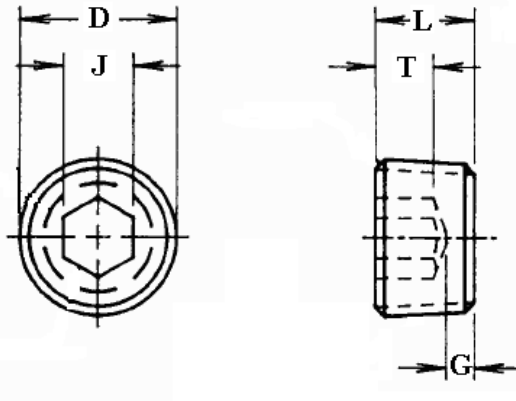




Socket Pressure Plug, Flush (PTF) Type 7/8 Taper, Brass, Manufactured in the USA

The information below lists the required dimensional, chemical and physical characteristics of the products in this purchase order. If the order received does not meet these requirements, it may result in a supplier corrective action request, which could jeopardize your status as an approved vendor. Unless otherwise specified, all referenced consensus standards must be adhered to in their entirety.



Nominal Size	D	Threads per Inch	J		T	G	L		Basic Pitch Diameter at Socket Face
	O.D.		Hex Socket Size		Key Engagement	Wall Thickness	Overall Length		
	Nom.		Nom.		Min.	Min.	Max.	Min.	
1/16	0.307	27	5/32	0.156	0.140	0.052	0.250	0.235	0.28253
1/8	0.401	27	3/16	0.187	0.140	0.049	0.250	0.235	0.37495
1/4	0.529	18	1/4	0.250	0.218	0.045	0.406	0.391	0.49366
3/8	0.667	18	5/16	0.312	0.250	0.040	0.406	0.391	0.62904
1/2	0.830	14	3/8	0.375	0.312	0.067	0.531	0.516	0.78103
3/4	1.041	14	9/16	0.562	0.312	0.054	0.531	0.516	0.99147

Specification Requirements:

- Dimensions: See dimensions above.
- Material & Mechanical Properties: Commercial Brass
- Threads: Per ASME B1.20.3 and B1.20.5.
7/8 diameter taper per foot.