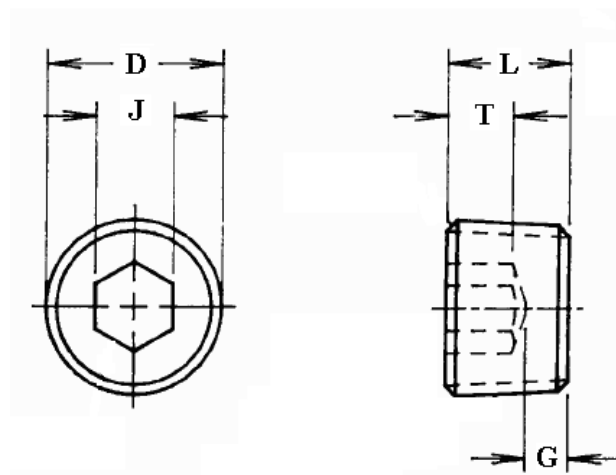




Socket Pressure Plugs, DrySeal, 3/4 Taper, Plain, Manufactured in the USA

The information below lists the required dimensional, chemical and physical characteristics of the products in this purchase order. If the order received does not meet these requirements, it may result in a supplier corrective action request, which could jeopardize your status as an approved vendor. Unless otherwise specified, all referenced consensus standards must be adhered to in their entirety.



Nominal Size	D		J		T	G	L (1)		
	O.D.		Hex Socket Size		Key Engagement	Wall Thickness	Overall Length		
	Nom.		Nom.		Min.	Min.	Nom.	Max.	Min.
1/16	0.312	27	5/32	0.156	0.140	0.062	0.312	0.324	0.300
1/8	0.405	27	3/16	0.187	0.140	0.062	0.312	0.324	0.300
1/4	0.540	18	1/4	0.250	0.218	0.073	0.438	0.457	0.417
3/8	0.675	18	5/16	0.312	0.250	0.084	0.500	0.520	0.480
1/2	0.840	14	3/8	0.375	0.312	0.095	0.562	0.582	0.542
3/4	1.050	14	9/16	0.562	0.312	0.125	0.625	0.645	0.605
1	1.315	11-1/2	5/8	0.625	0.375	0.125	0.750	0.770	0.730
1 1/4	1.660	11-1/2	3/4	0.750	0.437	0.156	0.812	0.832	0.792
1 1/2	1.900	11-1/2	1	1.000	0.437	0.156	0.812	0.843	0.780
2	2.375	11-1/2	1	1.000	0.437	0.156	0.875	0.906	0.844

(1) The length of the plug shall be measure overall on a line parallel to the axis.

Specification Requirements:

- Dimensions: See dimensions above.
- Material & Mechanical Properties: Alloy Steel heat treated to HRC 36-43
- Threads: NPTF per ASME B1.20.3; B1.20.5