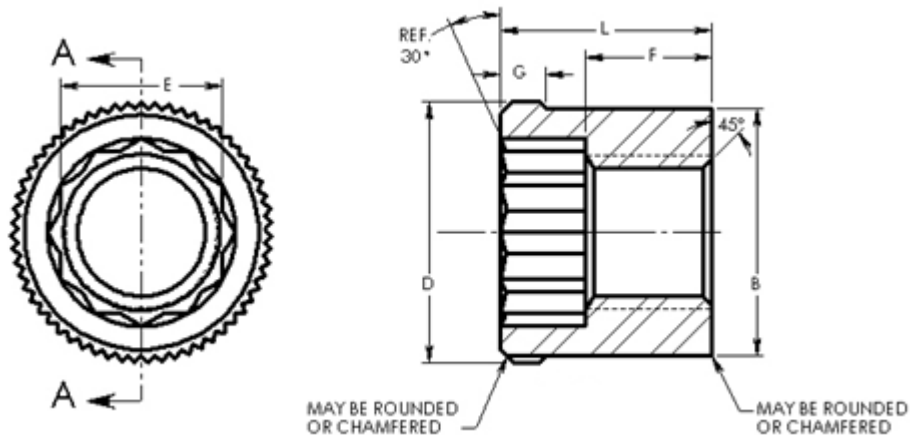




### Allen Nut, Black Oxide

The information below lists the required dimensional, chemical and physical characteristics of the products in this purchase order. If the order received does not meet these requirements, it may result in a supplier corrective action request, which could jeopardize your status as an approved vendor. Unless otherwise specified, all referenced consensus standards must be adhered to in their entirety.



Nominal Nut Size	B		L		D		E	F	G
	Body Diameter		OAL		Knurl Diameter		Socket WAF	Thread Length	Knurl Length
	Max	Min	Max	Min	Max	Min	Nom.	Min	Min
#4	0.187	0.183	0.179	0.172	0.209	0.205	1/8	0.080	0.046
#5	0.187	0.183	0.205	0.198	0.209	0.205	1/8	0.095	0.056
#6	0.257	0.253	0.230	0.223	0.278	0.274	5/32	0.100	0.071
#8	0.280	0.275	0.273	0.226	0.307	0.302	3/16	0.125	0.084
#10	0.307	0.302	0.319	0.309	0.366	0.331	3/16	0.170	0.096
1/4	0.403	0.398	0.419	0.409	0.430	0.425	1/4	0.225	0.136
5/16	0.498	0.493	0.522	0.512	0.526	0.521	5/16	0.285	0.165
3/8	0.590	0.585	0.621	0.606	0.620	0.615	3/8	0.325	0.195
7/16	0.710	0.705	0.733	0.718	0.743	0.738	7/16	0.360	0.235
1/2	0.800	0.795	0.836	0.821	0.841	0.836	1/2	0.445	0.265
5/8	0.986	0.980	1.010	0.995	1.040	1.034	5/8	0.500	0.325
3/4	1.158	1.152	1.185	1.170	1.215	1.209	3/4	0.600	0.385
7/8	1.361	1.355	1.358	1.343	1.430	1.424	7/8	0.700	0.445
1	1.533	1.527	1.532	1.517	1.620	1.612	1	0.810	0.495

Page 2 of 2	<b>Holo-Krome Product Standard</b>	REV-01
Date: February 10, 2014		HK.ALLNUT.SS



### Specification Requirements:

- Standard for dimensions: See Dimensions Above
- Material: Stainless Steel
- Mechanical: Shall meet ASTM A194 Grade 2H, Heavy Hex Nut Proof loads
- Threads: Per ASME B1.1; UNC or UNF
- Marking: Manufacturer's I.D.
- Finish: Light Protective Oil